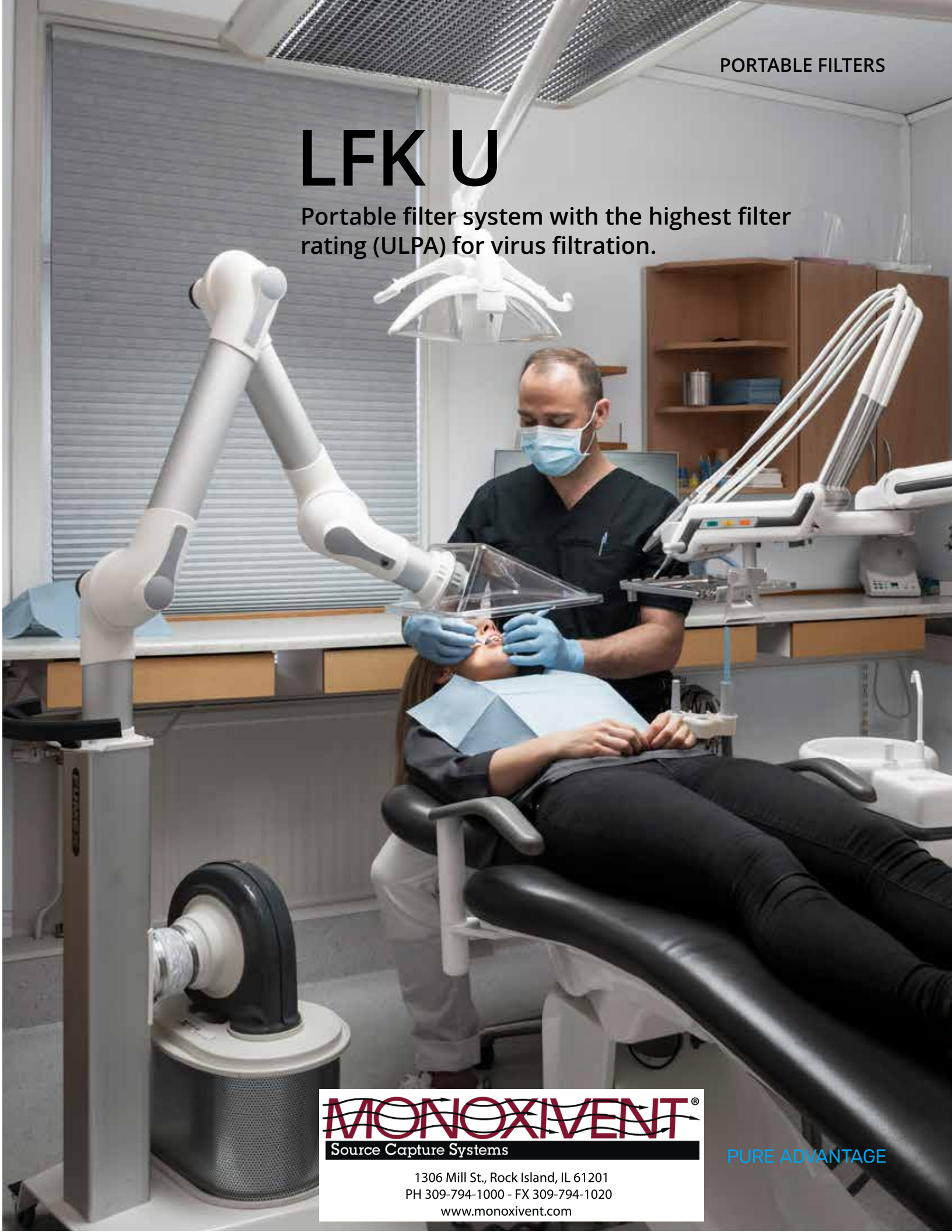


PORTABLE FILTERS

LFK U

Portable filter system with the highest filter rating (ULPA) for virus filtration.



MONOXIVENT®

Source Capture Systems

1306 Mill St., Rock Island, IL 61201
PH 309-794-1000 - FX 309-794-1020
www.monoxivent.com

PURE ADVANTAGE

LFK U

- Filter FPU 50
- Fan FF 100
- Hose SL-100LF
- Flexible table bracket MBF
- Extractor arm MNX 1300-50/75
- Suction Nozzle MNX-SCN-50/75

LFK U on LF TR

- Filter FPU 50
- Fan FF 100
- Hose SL-100LF
- Portable Trolley MNX-LF-TR
- Extractor arm MNX 1300-50/75
- Suction Nozzle MNX-SCN-50/75



Portable filter system for environments where protection against viruses is essential, e.g. dental clinics, healthcare facilities and laboratories.

MNX-LFK U is an effective and flexible solution consisting of a fan, filter and fume extractor in a single unit. It is highly suitable for use in healthcare environments where exhaled air, which could potentially contain viruses or residues from inhaled medicines, can be problematic.

MNX LFK U is available in two versions: **LFK 150U** with a Ø2" extractor arm, and **LFK 175U** with a Ø3" extractor arm. LFK U works according to the low-vacuum principle, which entails a very low risk of filter failure, produces little noise and has low power requirements.

For maximum efficiency, MNX LFK U is equipped with a highly efficient filter (ULPA 15 rating), an optimised fan with a reliable EC motor with speed control and a

flexible ME extractor arm, which features the lowest pressure drop on the market.

Among the accessories is the **LF TR**, a portable trolley on lockable wheels with bracket for the extractor arm. **LF TR** is compact and easily blends into the work environment.

The fan and filter can be combined with other extractors available in Monoxivents range of products.

Virus filtration

Viruses in dry form have a size of 0.08-0.12 µm but are usually bound to an aerosol and are therefore almost always larger. A ULPA filter is very good at filtering these particles.

MNX LFK U has an ULPA filter (FPU 50) as standard. The filter is rated ULPA 15 and tested in accordance with EN 1822-1 and has a separation efficiency >99.9995%.

The filter is tested using the MPPS (Most Penetrating Particle Size) method with a size of 0.17 µm, which is the most difficult size for a filter to capture. For smaller or larger particles, the filter has higher separation efficiency.

The filter test is carried out at flow of 60 cfm per 11 ft² filter area. At higher flows per ft², the filter efficiency is reduced. FPU 50 has a filter area of 54 ft² and can thus tolerate a flow of up to 295 cfm without diminished separation efficiency.

The FPU 50 filter should be replaced once a year.

Aerodynamic diameter (µm) of particles and probable accumulation area in the respiratory system.

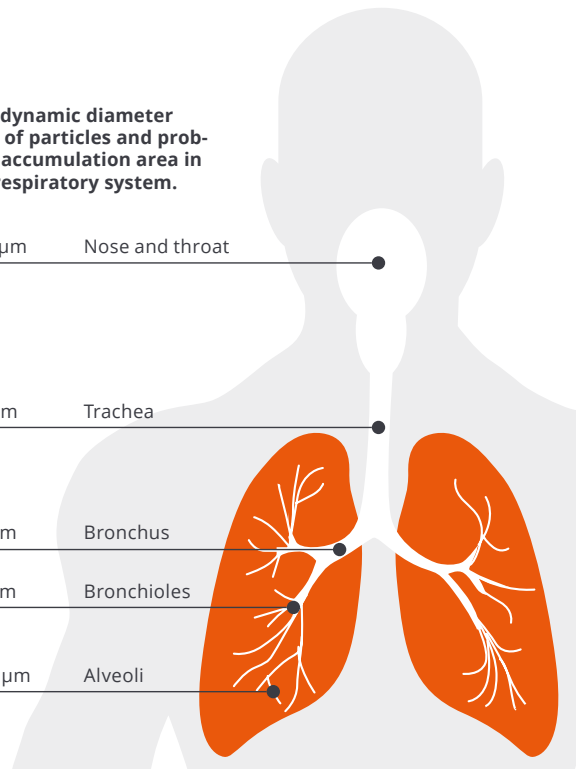
5-10 µm Nose and throat

3-5 µm Trachea

2-3 µm Bronchus

1-2 µm Bronchioles

0.1-1 µm Alveoli



Accessories



MOBILE TROLLEY LF TR

Mobile trolley for LFK U with lockable swivel wheels and mount for extractor arm.

Model: MNX-LF-TR
Dimensions (HxWxD): 37x30x24"
Weight: 34 lb



EXHAUST AIR ADAPTER

Model: MNX-LF-VTA
Ø5" exhaust air duct connector. Cannot be combined with LF TR.



FLEXIBLE SUCTION NOZZLE

Model:
MNX-MEFS-50 (Ø2")
MNX-MEFS-75 (Ø3")
Length: 24"



SQUARE HOOD

Model:
MNX-MESH-50 (Ø2")
MNX-MESH-75 (Ø3")
Dimensions: 12x14"



FLAT SCREEN HOOD

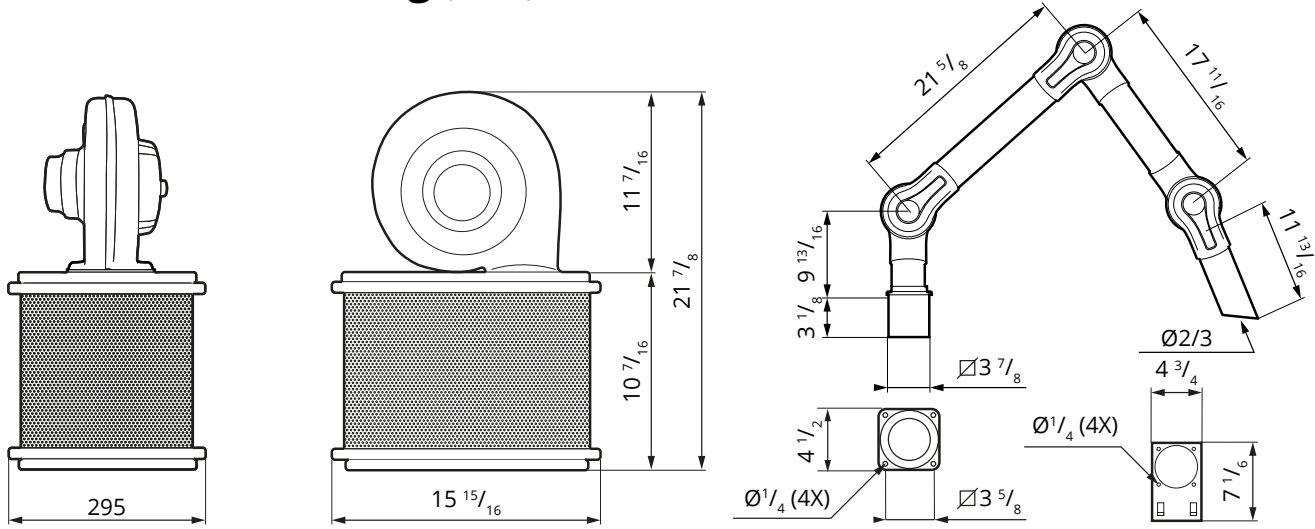
Model:
MNX-FFH-50 (Ø2")
MNX-FFH-75 (Ø3")
Dimensions: 12x8"



DOME HOOD

Model:
MNX-CDH-50 (Ø2")
MNX-CDH-75 (Ø3")
Dimension: Ø14"

Dimensional drawing (inch)



Specifications

Form of delivery

The complete kit for easy installation contains:

- Fan FF 100
- Filter FPU 50
- Hose SL-100LF, 10 ft
- Table mount MBF

including:

- LFK 150U**
 - Extractor arm MNX-1300-50
 - Suction Nozzle MNX-SCN-50
- LFK 175U**
 - Extractor arm MNX-1300-75
 - Suction Nozzle MNX-SCN-75

Surface finishing

Sheet metal parts Powder coated, galvanized
Aluminum parts Anodized

Filter

Particle filter designed to meet the highest filtration requirements (ULPA 15 rating), tested in accordance with EN 1822-1 with separation efficiency >99.9995% MPPS.

Hose type

PVC-coated polyamide fabric with fully embedded spring steel coil. Temperature range 14 °F to 194 °F.

Fan

Fan housing in ABS plastic. EC motor with variable speed control.

Article	Voltage	Rated current (A)	Power	Frequency
FF 100-115V	100-130V	2,1 A	0,2 hp	50-60 Hz

Sound level	60 dB(A)
Max temperature	122 °F

Recommended air flow:

LFK 150U:	44 cfm
LFK 175U:	88 cfm

Weight

LFK 150U	26 lb
LFK 175U	28 lb



1306 Mill St., Rock Island, IL 61201
PH 309-794-1000 - FX 309-794-1020
www.monoxivent.com